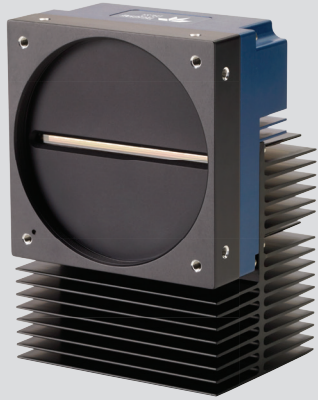


# Linea™ ML

8k and 16k Multiline Monochrome / HDR CMOS Camera



## Key Features

- » High speed up to 300 kHz line rate
- » Sequential exposure control
- » High dynamic range
- » Up to 100 m optical cable length

## Programmability

- » Multiple regions and areas of interest
- » 8 or 12 bit output
- » Flat field and lens shading correction
- » Rapid switching of coefficient sets
- » GenICam™ compliant interfacing

## Typical Applications

- » Printed circuit board inspection
- » Flat panel inspection
- » Printing inspection
- » Digital pathology
- » Web inspection
- » Machine vision

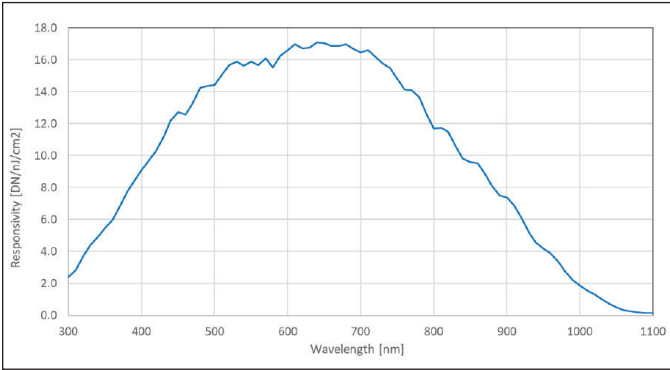
## High-Speed Monochrome Camera with a Fiber Optic Interface

The Linea™ ML multiline monochrome CMOS cameras meet the requirements of demanding imaging applications with industry leading performance. Based on Teledyne DALSA's unique CMOS line scan technology, the Linea ML cameras deliver superb images with a high-speed fiber optic cable.

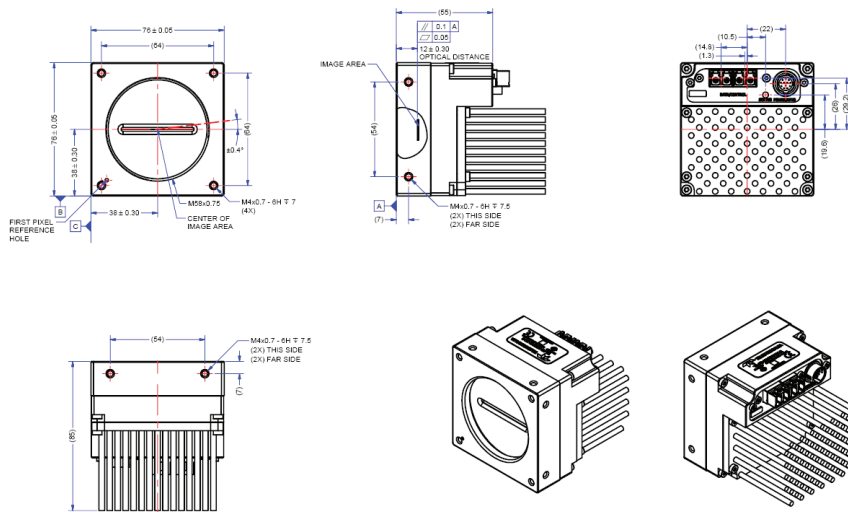
Specifications	
Resolution	8,192 x 4 pixels (8k) 16,384 x 4/1 pixels (16k)
Line Rate	300 kHz maximum
Pixel Size	5 x 5 μm
Data Format	8 or 12 bits, selectable
Output	Monochrome / HDR
Lens Mount	M58 x 0.75 (8k) M90 x 1 (16k)
Responsivity	See graph
Dynamic Range	72 dB
Nominal Gain Range	1x to 10x
Size	76 mm x 76 mm x 85 mm (8k) 97 mm x 140.5 mm x 78.6 mm (16k)
Mass	500 g (8k) 1.2 kg (16k)
Operating Temp	0 °C to +65 °C, front plate
Power	+12 V to +24 V DC, Hirose 12-pin
Power Dissipation	<15 W (8k) <25 W (16k)
Control & Data	Camera Link HS, CX4/LC
GPIO	Direction and independent line control
Regulatory Compliance	CE, FCC, and RoHS

## Camera Model

Part Number	Resolution	Max. Line Rates	Pixel Size	Output
ML-FM-08k30H-00-R	8,192 x 4 pixels	280 kHz	5 μm x 5 μm	Mono / HDR
ML-FM-16k07A-00-R	16,384 x 1 pixels	70 kHz	5 μm x 5 μm	Mono / HDR
ML-FM-16k15A-00-R	16,384 x 1 pixels	140 kHz	5 μm x 5 μm	Mono / HDR
ML-HM-16k30H-00-R	16,384 x 4 pixels	300 kHz	5 μm x 5 μm	Mono / HDR

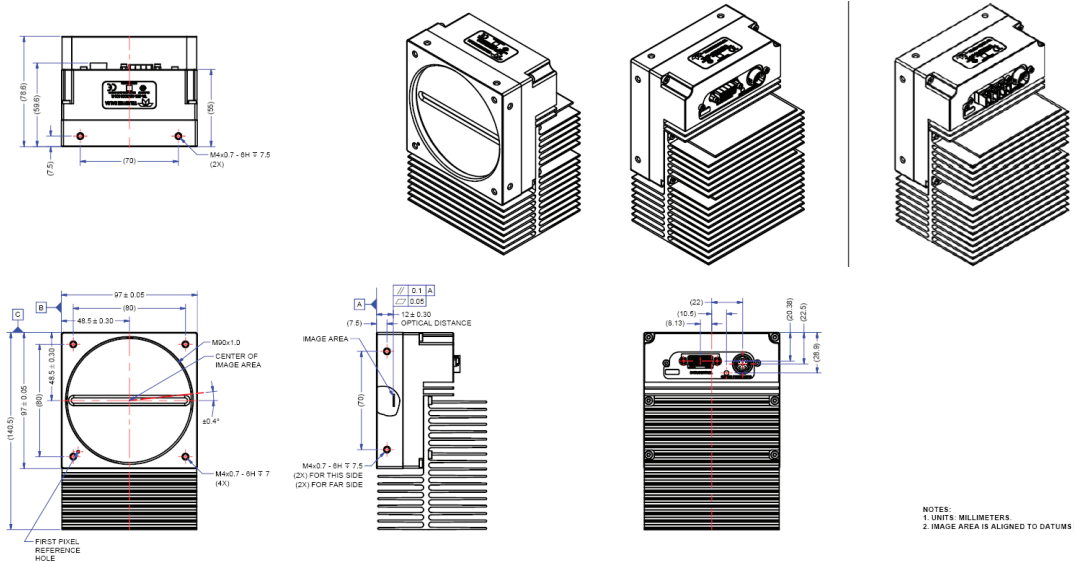


**8k Model**



NOTES:  
1. UNITS: MILLIMETERS.  
2. IMAGE AREA IS ALIGNED TO DATUMS  $\square$   $\square$  &  $\square$

**16k Model**



NOTES:  
1. UNITS: MILLIMETERS.  
2. IMAGE AREA IS ALIGNED TO DATUMS  $\square$   $\square$  &  $\square$

**Americas**  
Boston, USA  
+1 978-670-2000  
sales.americas@teledynedalsa.com

**Europe**  
Krailing, Germany  
+49 89-89-54-57-3-80  
sales.europe@teledynedalsa.com

**Asia Pacific**  
Tokyo, Japan  
+81 3-5960-6353  
sales.asia@teledynedalsa.com

Shanghai, China  
+86 21-3368-0027  
sales.asia@teledynedalsa.com